

WELD HEADS

FOH 8-40 / 10-76 / 20-114 / 40-168

/ TIG Orbital welding with or without filler wire



/ Open weld heads for mechanized TIG Orbital welding of tube connections (outer diameter 8 - 168 mm / 0.31 - 6.61 in) made of steel, stainless steel, titanium, austenite nickel-chromium-based superalloys, aluminum and other materials in application areas: energy, biochemical industry, food industry, shipbuilding, aerospace and aeronautics etc...

FEATURES

- / FOH weld head including up to 2 sets reducer jaws (depending on weld head type)
- / Integrated servomotor
- / Automatic drive to opening position
- / Free definable starting position
- / Automatic drive stop when overloaded
- / Stepless adjustable clamping-/centering system for quick adaptation to different tube diameters
- / Mechanical tube tracking for constant electrode distance
- / Torch bracket 0 - 45° stepless swivelling
- / Manual side adjustment of the electrode
- / Swivelling torch holder with fixation
- / Plugable control line 6 m (236.22 in)
- / Orbital welding torch with insulated torch body and high duty cycle

- / Ideal gas protection to avoid coloration
- / Torch with comfortable wear part changing system
- / Transport case with trolley-system

ACCESSORIES

- / Orbital welding torch TTGO F++/ 5 m (196.85 in) (only for FOH 8 - 40)
- / Orbital welding torch TTWO 2000 F++/ 5 m (196.85 in)
- / Wear part box for torches
- / Extension hose pack FCH / FOH 10 m (393.70 in)
- / Wire feeder KD 4000 D-11
- / 2-axis wire adjustment
- / Wire feeding (wire-Ø 0,8 - 1,2 mm / 0.03 - 0.05 in)
- / Balancer spring return
- / Orbital system controller FPA 3020/3030



/ Wire feeding, torch bracket from 0 - 45° stepless swivelling



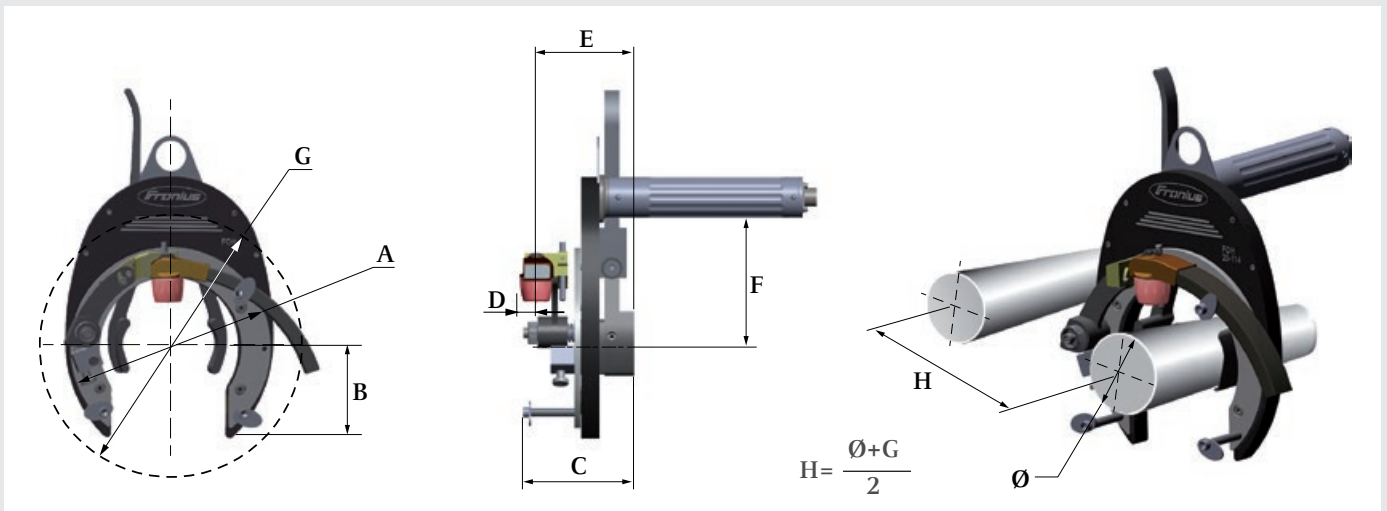
/ Reducer jaws depending on tube outer diameter



/ Transport case with trolley



/ Wire feeder KD 4000 D-11



TECHNICAL DATA

ORBITAL WELD HEAD	FOH 8-40	FOH 10-76	FOH 20-114	FOH 40-168	ORBITAL WELDING TORCH	TTGO*	TTWO
Tube outer-Ø	8 - 40 mm (0.31 - 1.57 in)	10 - 76 mm (0.39 - 2.99 in)	20 - 114 mm (0.79 - 4.49 in)	40 - 168 mm (1.57 - 6.14 in)	Duty cycle	-	DC 100% 200 A AC 100% 140 A
A	90 mm	142 mm	200 mm	300 mm	Electrode-Ø	2,4 / 3,2 mm (0.09 / 0.13 inch)	2,4 / 3,2 mm (0.09 / 0.13 inch)
B	40 mm (1.57 in)	64 mm (2.52 in)	90 mm (3.54 in)	134 mm (5.28 in)	Cooling	Gas	Wasser
C	95 mm (3.74 in)	108 mm (4.25 in)	111 mm (4.37 in)	111 mm (4.37 in)	Net weight hose pack	1,9 kg (4.19 lbs)	1,9 kg (4.19 lbs)
D	7 mm (0.28 in)	7 mm (0.19 in)	7 mm (0.28 in)	10 mm (0.39 in)	*available Q1/2016		
E	77 mm (3.03 in)	91 mm (3.58 in)	91 mm (3.58 in)	91 mm (3.58 in)	WIRE FEED	KD 4000 D-11	
F	66 mm (2.56 in)	90 mm (3.54 in)	130 mm (5.12 in)	185 mm (7.28 in)	Wire speed	0,1 - 11 m (3.94 - 433.07 in) /min	
G max.	120 mm (4.72 in)	230 mm (9.06 in)	260 mm (10.24 in)	400 mm (15.75 in)	Wire drive	4-rolls drive	
Net weight (without hose pack)	1,87 kg (4.12 lb)	2,39 kg (5.27 lb)	3,97 kg (8.75 lb)	6,96 kg (15.34 lb)	Standard: Feed rollers Optional: Range of wire-Ø	1,0 H Profi 0,8 - 1,2 mm (0.03 - 0.05 in)	
					Wire coils-Ø	max. 300 mm (11.81in)	
					Wire coil weight	max. 16 kg (35.27 lb)	
					Type of wire coils	all standardized coils	
					Dimensions l/w/h	650 x 290 x 410 mm (25.59 x 11.42 x 16.14 in)	
					Weight	15,7 kg (34.61 lb)	

/ Perfect Welding / Solar Energy / Perfect Charging

WE HAVE THREE DIVISIONS AND ONE PASSION: SHIFTING THE LIMITS OF POSSIBILITY.

/ Whether welding technology, photovoltaics or battery charging technology – our goal is clearly defined: to be the innovation leader. With around 3,300 employees worldwide, we shift the limits of what's possible - our record of over 900 granted patents is testimony to this. While others progress step by step, we innovate in leaps and bounds. Just as we've always done. The responsible use of our resources forms the basis of our corporate policy.

Further information about all Fronius products and our global sales partners and representatives can be found at www.fronius.com

v05 May 2015 EN

Fronius Canada Ltd.
2875 Argentia Road, Units 4,5 & 6
Mississauga, ON L5N 8G6
Canada
Telephone +1 905 288-2100
Fax +1 905 288-2101
sales.canada@fronius.com
www.fronius.ca

Fronius USA LLC
6797 Fronius Drive
Portage, IN 46368
USA
Telephone +1 877 FRONIUS
sales.usa@fronius.com
www.fronius-usa.com

Fronius UK Limited
Maidstone Road, Kingston
Milton Keynes, MK10 0BD
United Kingdom
Telephone +44 1908 512 300
Fax +44 1908 512 329
info-uk@fronius.com
www.fronius.co.uk

Fronius International GmbH
Froniusplatz 1
4600 Wels
Austria
Telephone +43 7242 241-0
Fax +43 7242 241-953940
sales@fronius.com
www.fronius.com