

Hypertherm®

HyPerformance™ Plasma

HPR260™

Consumables



HPR260



HPR260 torch

Mild steel

	Shield cap	Shield	Retaining cap	Nozzle	Swirl ring	Electrode
30 A	220173	220194	220313	220193	220180	220192-Standard
50 A	220173	220555	220313	220554	220553	220552-Standard
80 A	220173	220189	220176	220188	220179	220187-Standard
130 A	220173	220183	220176	220182	220179	220181-Standard 220665-SilverPlus
200 A	220398	220356	220355	220354	220353	220352-Standard 220666-SilverPlus
260 A		220440	220433	220439	220436	220435-Standard 220668-SilverPlus
130 A bevel	220398	220645	220603	220646	220179	220649
260 A bevel	220398	220545	220603	220542	220436	220541

Stainless steel

	Shield cap	Shield	Retaining cap	Nozzle	Swirl ring	Electrode
45 A	220173	220202	220304	220201	220180	220308
80 A	220173	220338	220304	220337	220179	220339
130 A	220173	220198	220304 (H35) 220176 (N ₂)	220197	220179	220307
200 A	220398	220345	220344	220343	220342	220307
260 A		220407	220344	220406	220405	220307
130 A bevel	220398	220609	220608	220656	220179	220606
260 A bevel	220398	220609	220608	220607	220405	220606

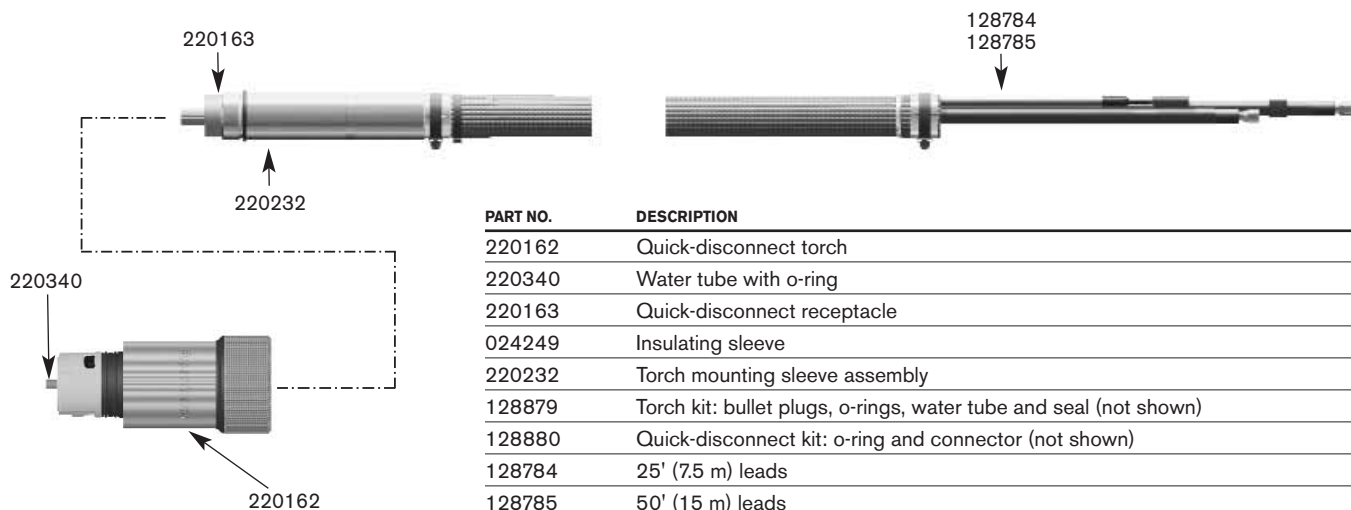
Aluminum

	Shield cap	Shield	Retaining cap	Nozzle	Swirl ring	Electrode
45 A	220173	220202	220176	220201	220180	220308
130 A		220198	220304 (H35) 220176 (Air)	220197	220179	220307 (H35) 220181 (Air)
200 A	220398	220345	220347	220346	220342	220307
260 A		220407	220344	220406	220405	220307

HPR260 consumables

MATERIAL	CONSUMABLE DESCRIPTION	Bevel cutting								
		260 A	200 A	130 A	80 A	50 A	45 A	30 A	130 A	260 A
Mild steel	Standard electrode	220435	220352	220181	220187	220552	-----	220192	220649	220541
	SilverPlus electrode	220668	220666	220665	-----	-----	-----	-----	-----	-----
	Swirl ring	220436	220353	220179	220179	220553	-----	220180	220179	220436
	Nozzle	220439	220354	220182	220188	220554	-----	220193	220646	220542
	Inner retaining cap	220433	220355	220176	220176	220313	-----	220313	220603	220603
	Shield	220440	220356	220183	220189	220555	-----	220194	220645	220545
	Shield cap	220398	220398	220173	220173	220173	-----	220173	220398	220398
Stainless steel	Electrode	220307	220307	220307	220339	-----	220308	-----	220606	220606
	Swirl ring	220405	220342	220179	220179	-----	220180	-----	220179	220405
	Nozzle	220406	220343	220197	220337	-----	220201	-----	220656	220607
	Inner retaining cap	220344	220344	220304 (H35)	220304	-----	220304	-----	220608	220608
		-----	-----	220176 (N ₂)	-----	-----	-----	-----	-----	-----
	Shield	220407	220345	220198	220338	-----	220202	-----	220609	220609
	Shield cap	220398	220398	220173	220173	-----	220173	-----	220398	220398
Aluminum	Electrode	220307	220307	220307 (H35)	-----	-----	220308	-----	-----	-----
		-----	-----	220181 (Air)	-----	-----	-----	-----	-----	-----
	Swirl ring	220405	220342	220179	-----	-----	220180	-----	-----	-----
	Nozzle	220432	220346	220197	-----	-----	220201	-----	-----	-----
	Inner retaining cap	220344	220347	220304 (H35)	-----	-----	220176	-----	-----	-----
		-----	-----	220176 (Air)	-----	-----	-----	-----	-----	-----
	Shield	220407	220345	220198	-----	-----	220202	-----	-----	-----
Shield cap	220398	220398	220173	-----	-----	220173	-----	-----	-----	

HyPerformance Plasma HPR260 torch assembly



PART NO.	DESCRIPTION
220162	Quick-disconnect torch
220340	Water tube with o-ring
220163	Quick-disconnect receptacle
024249	Insulating sleeve
220232	Torch mounting sleeve assembly
128879	Torch kit: bullet plugs, o-rings, water tube and seal (not shown)
128880	Quick-disconnect kit: o-ring and connector (not shown)
128784	25' (7.5 m) leads
128785	50' (15 m) leads
220700	Bevel water tube (mild steel – 130 A)
220571	Bevel water tube (stainless steel – 130/260 A)

Hypertherm®

HyPerformance™ Plasma

HPR130™

Consumables



HPR130



HPR130 torch

Mild steel

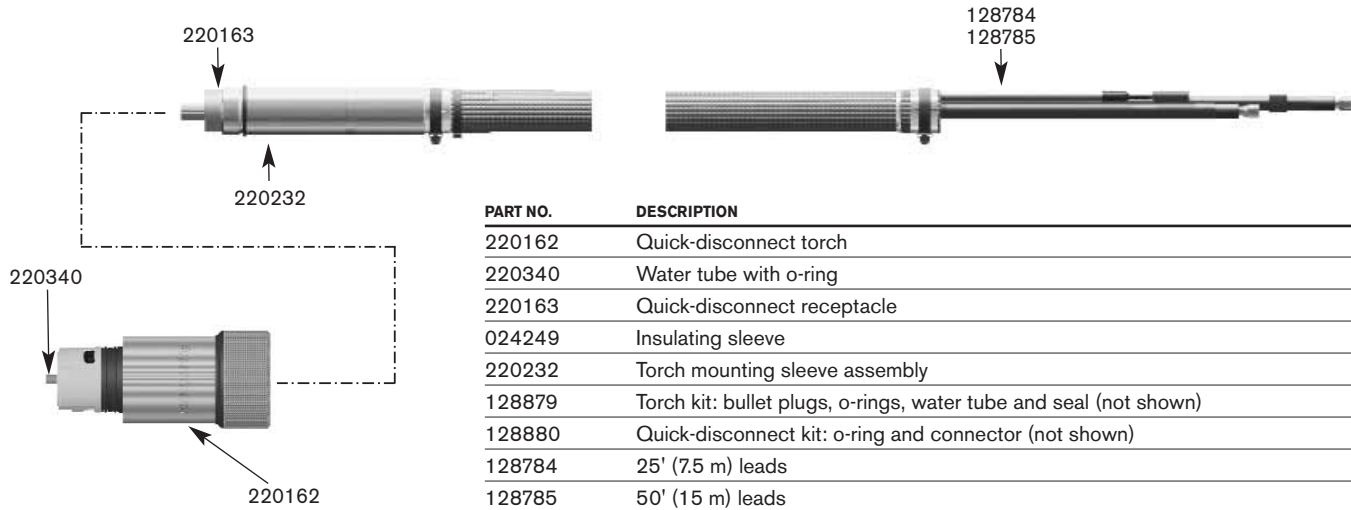
	Shield cap	Shield	Retaining cap	Nozzle	Swirl ring	Electrode
30 A	220173	220194	220313	220193	220180	220192-Standard
50 A	220173	220555	220313	220554	220553	220552-Standard
80 A	220173	220189	220176	220188	220179	220187-Standard
130 A	220173	220183	220176	220182	220179	220181-Standard 220665-SilverPlus
130 A bevel	220398	220645	220603	220646	220179	220649

Stainless steel

	Shield cap	Shield	Retaining cap	Nozzle	Swirl ring	Electrode
45 A	220173	220202	220304	220201	220180	220308
80 A	220173	220338	220304	220337	220179	220339
130 A	220173	220198	220304 (H35) 220176 (N ₂)	220197	220179	220307
130 A bevel	220398	220609	220608	220656	220179	220606
Aluminum						
45 A		220202	220304	220201	220180	220308
130 A	220173	220198	220304 (H35) 220176 (Air)	220197	220179	220307 (H35) 220181 (Air)

MATERIAL	CONSUMABLE DESCRIPTION	130 A	80 A	50 A	45 A	30 A	Bevel cutting 130 A
Mild steel	Standard electrode	220181	220187	220552	-----	220192	220649
	SilverPlus electrode	220655	-----	-----	-----	-----	-----
	Swirl ring	220179	220179	220553	-----	220180	220179
	Nozzle	220182	220188	220554	-----	220193	220646
	Inner retaining cap	220176	220176	220313	-----	220313	220603
	Shield	220183	220189	220555	-----	220194	220645
	Shield cap	220173	220173	220173	-----	220173	220398
Stainless steel	Electrode	220307	220339	-----	220308	-----	220606
	Swirl ring	220179	220179	-----	220180	-----	220179
	Nozzle	220197	220337	-----	220201	-----	220656
	Inner retaining cap	220304 (H35) 220176 (N ₂)	220304	-----	220304	-----	220608
	Shield	220198	220338	-----	220202	-----	220609
	Shield cap	220173	220173	-----	220173	-----	220398
Aluminum	Electrode	220307 (H35) 220181 (Air)	-----	-----	220308	-----	-----
	Swirl ring	220179	-----	-----	220180	-----	-----
	Nozzle	220197	-----	-----	220201	-----	-----
	Inner retaining cap	220304 (H35) 220176 (Air)	-----	-----	220304	-----	-----
	Shield	220198	-----	-----	-----	220202	-----
	Shield cap	220173	-----	-----	220173	-----	-----

HyPerformance Plasma HPR130 torch assembly



PART NO.	DESCRIPTION
220162	Quick-disconnect torch
220340	Water tube with o-ring
220163	Quick-disconnect receptacle
024249	Insulating sleeve
220232	Torch mounting sleeve assembly
128879	Torch kit: bullet plugs, o-rings, water tube and seal (not shown)
128880	Quick-disconnect kit: o-ring and connector (not shown)
128784	25' (7.5 m) leads
128785	50' (15 m) leads
220700	Bevel water tube (mild steel – 130 A)
220571	Bevel water tube (stainless steel – 130/260 A)